

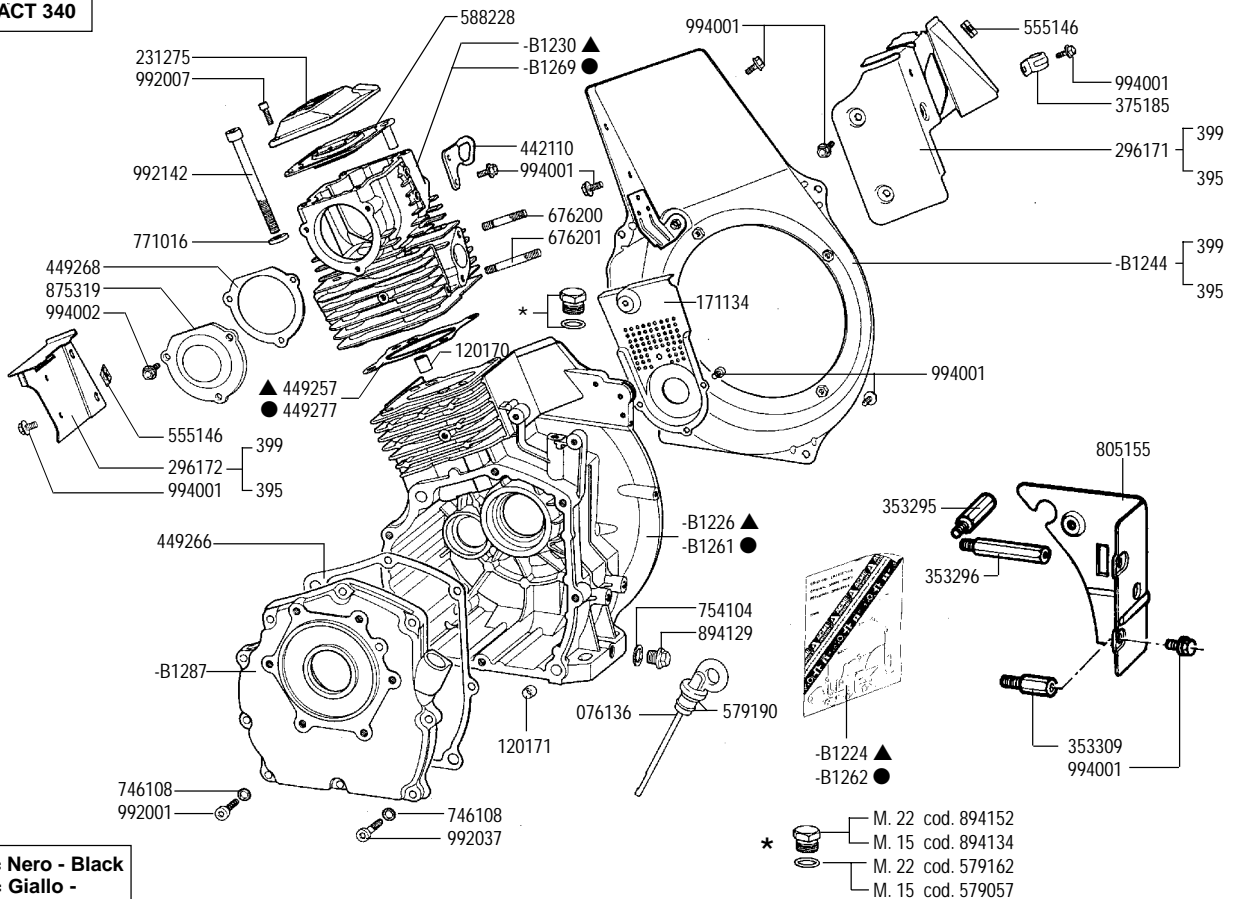


# ACT 280 - OHC ACT 340 - OHC

cod. -B1276 SHORT BLOCK ACT 280  
cod. -B1278 SHORT BLOCK ACT 340

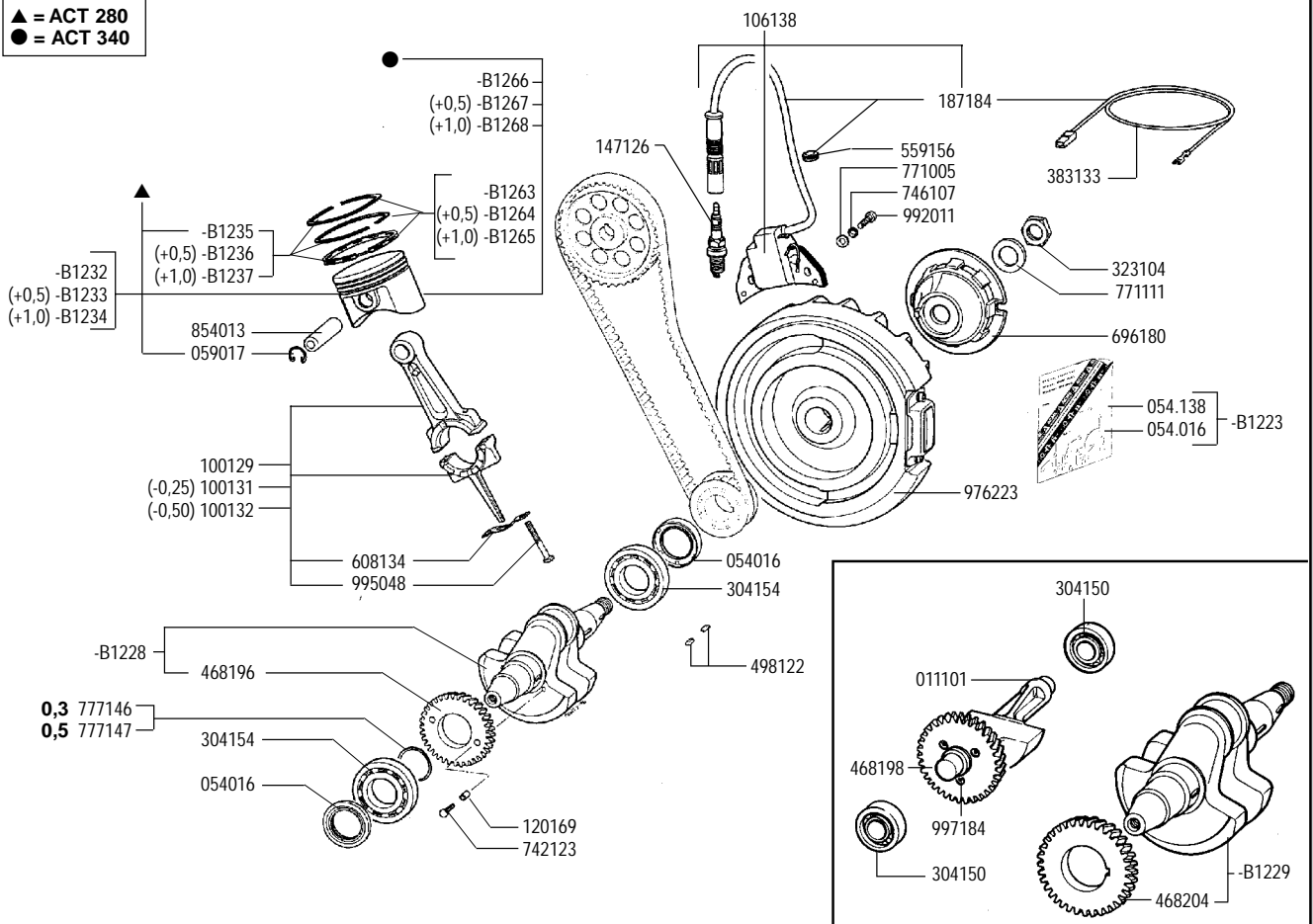


▲ = ACT 280  
● = ACT 340



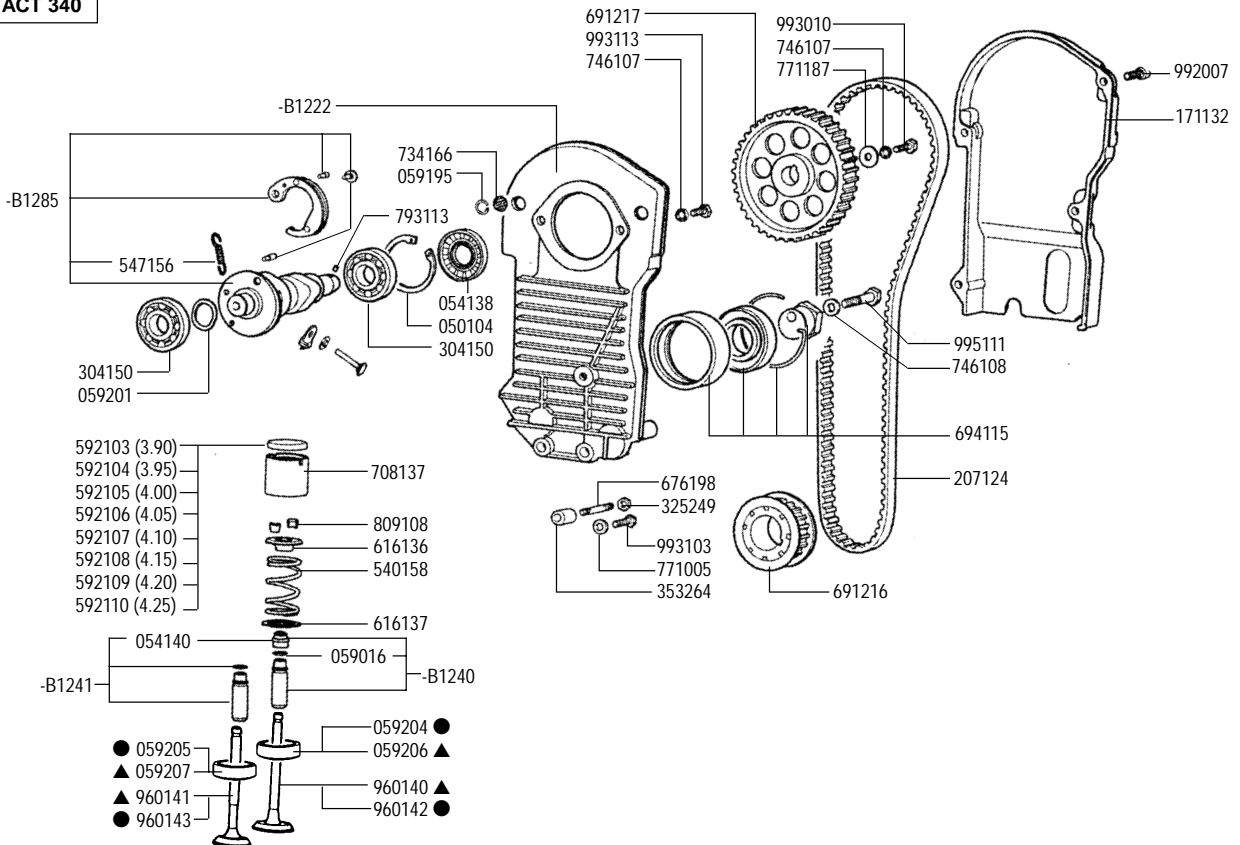
399 = Nero - Black  
395 = Giallo -

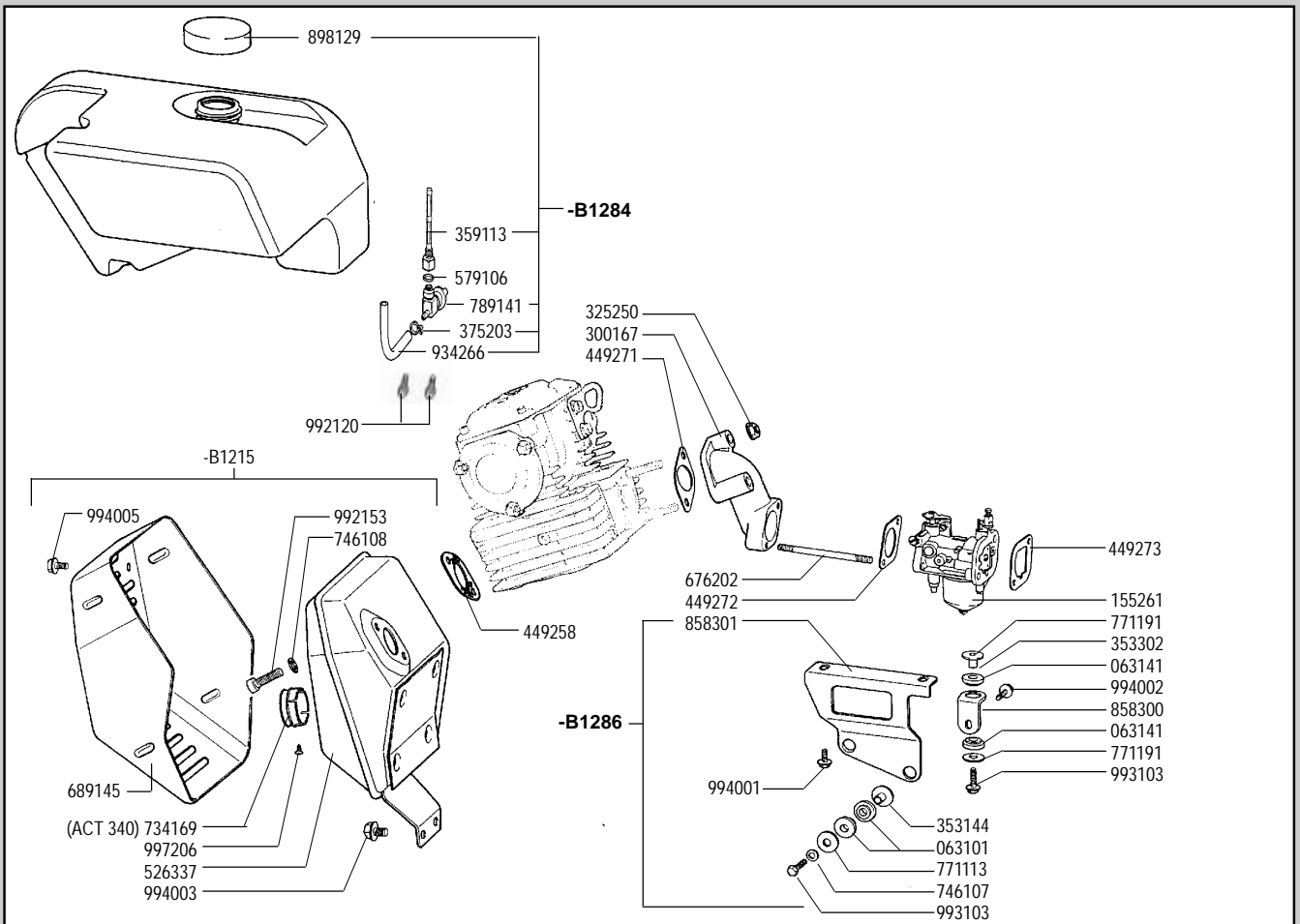
▲ = ACT 280  
● = ACT 340



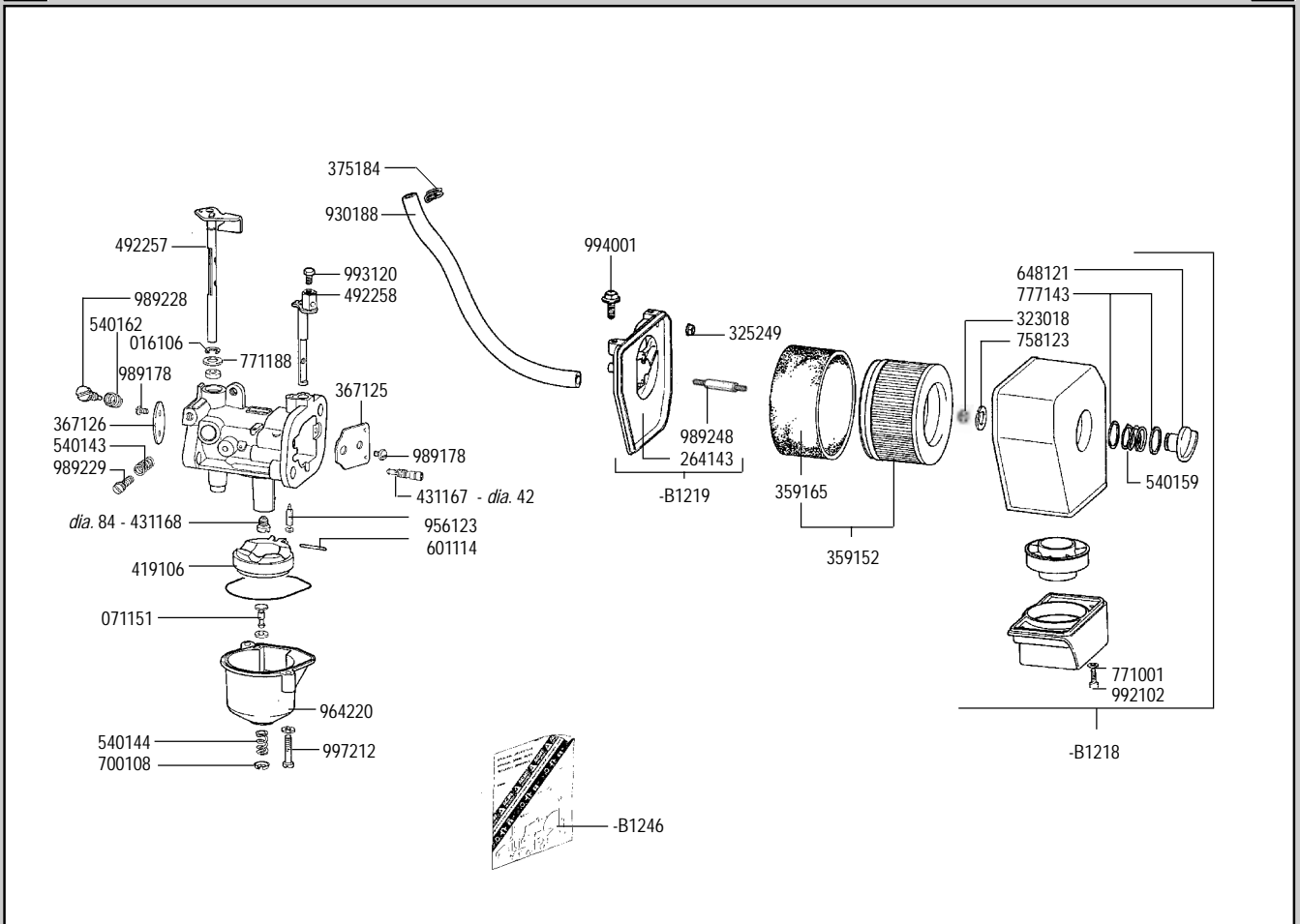
**RICAMBI - SPARE PARTS - ERSATZTEILE - PIECES DETACHEES - REPUESTOS**

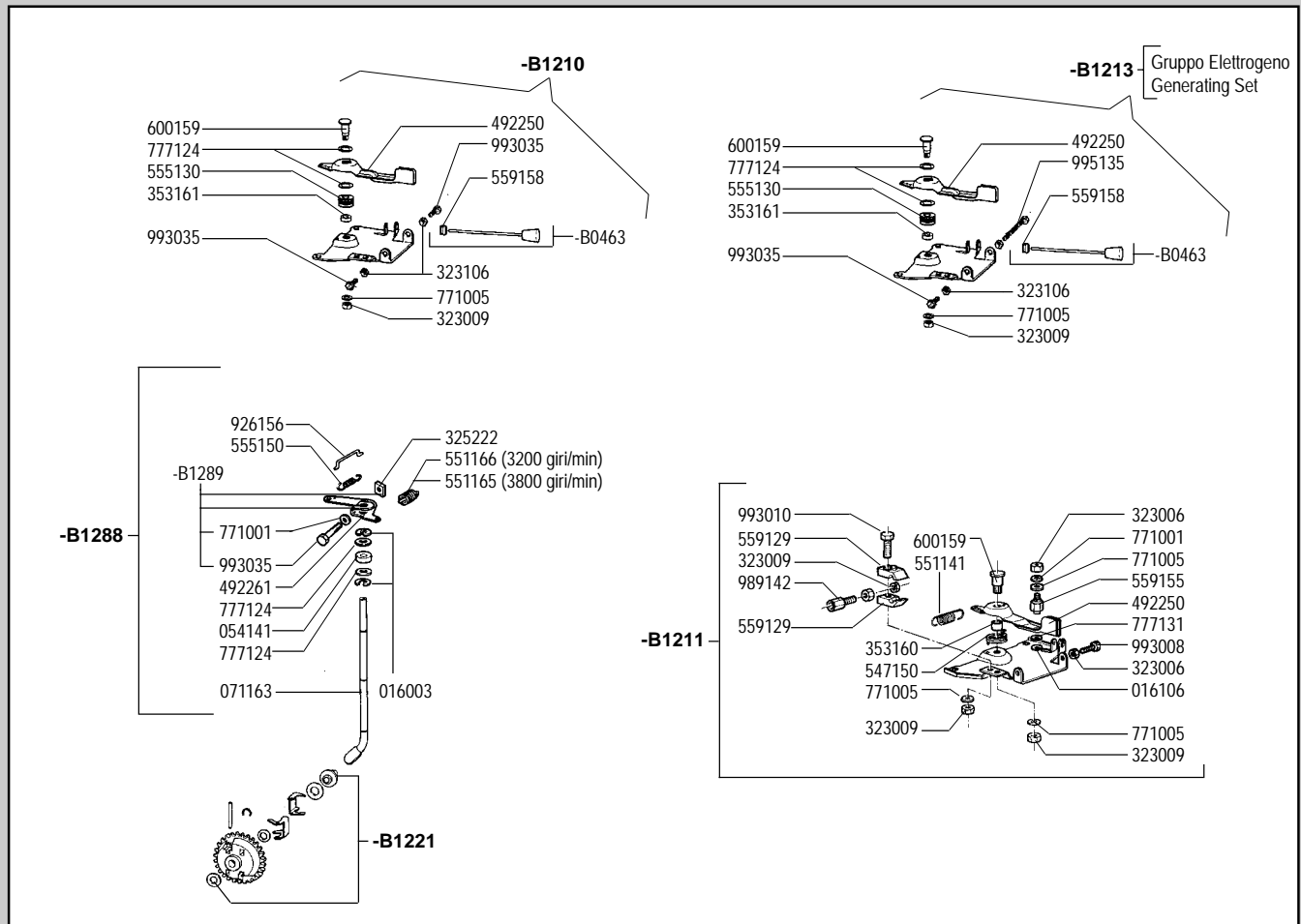
▲ = ACT 280  
● = ACT 340



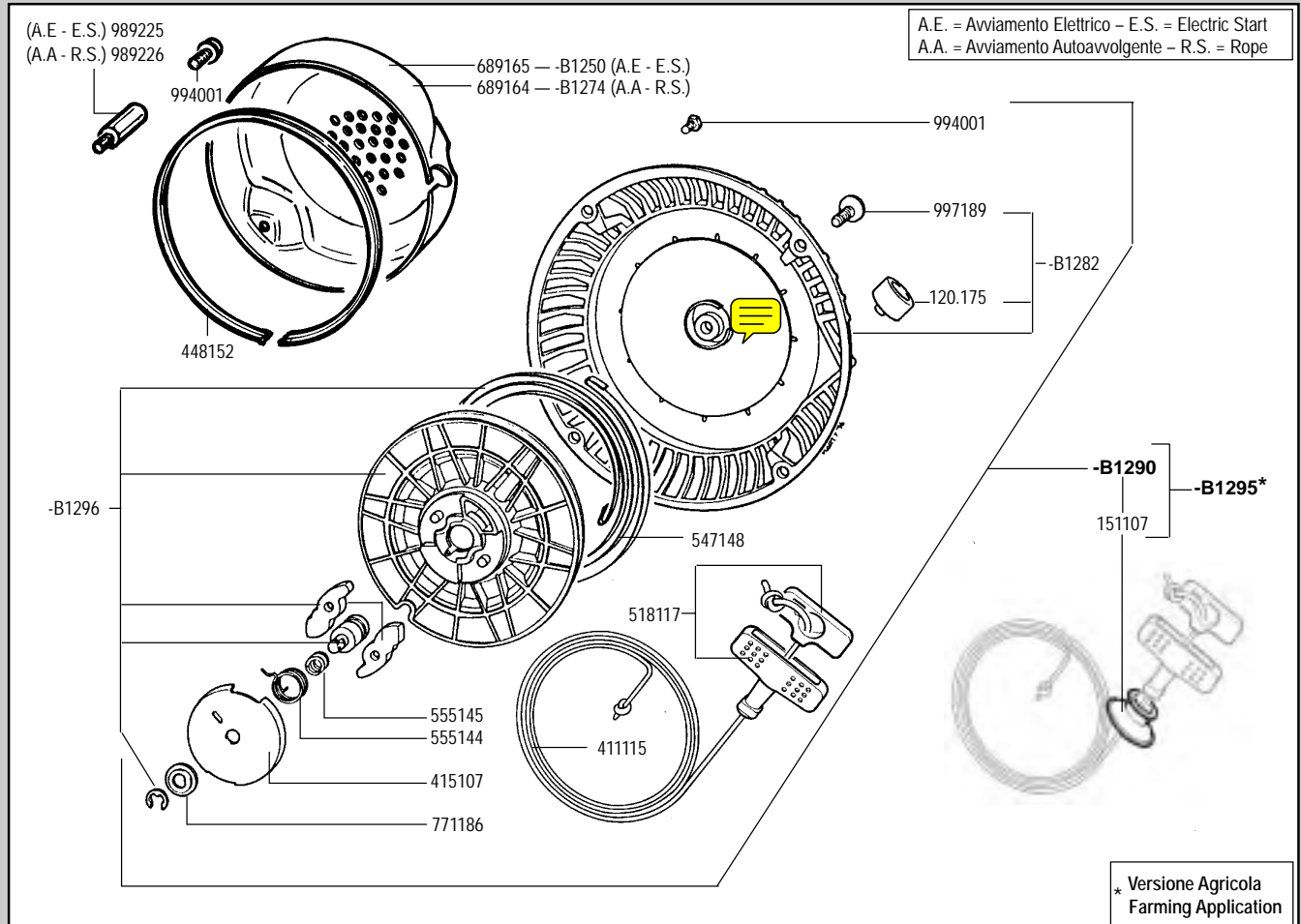


**RICAMBI - SPARE PARTS - ERSATZTEILE - PIECES DETACHEES - REPUESTOS**



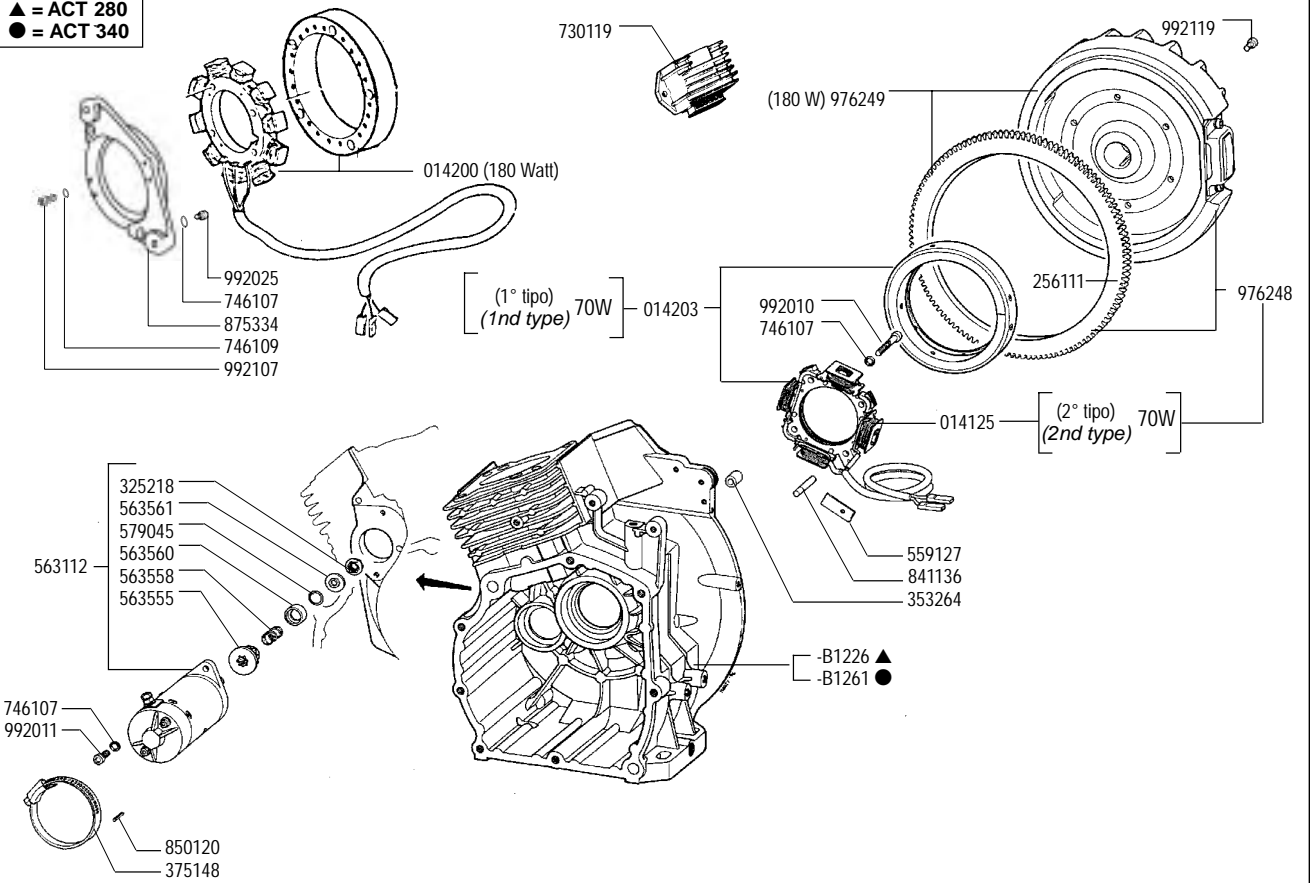


**RICAMBI - SPARE PARTS - ERSATZTEILE - PIECES DETACHEES - REPUESTOS**

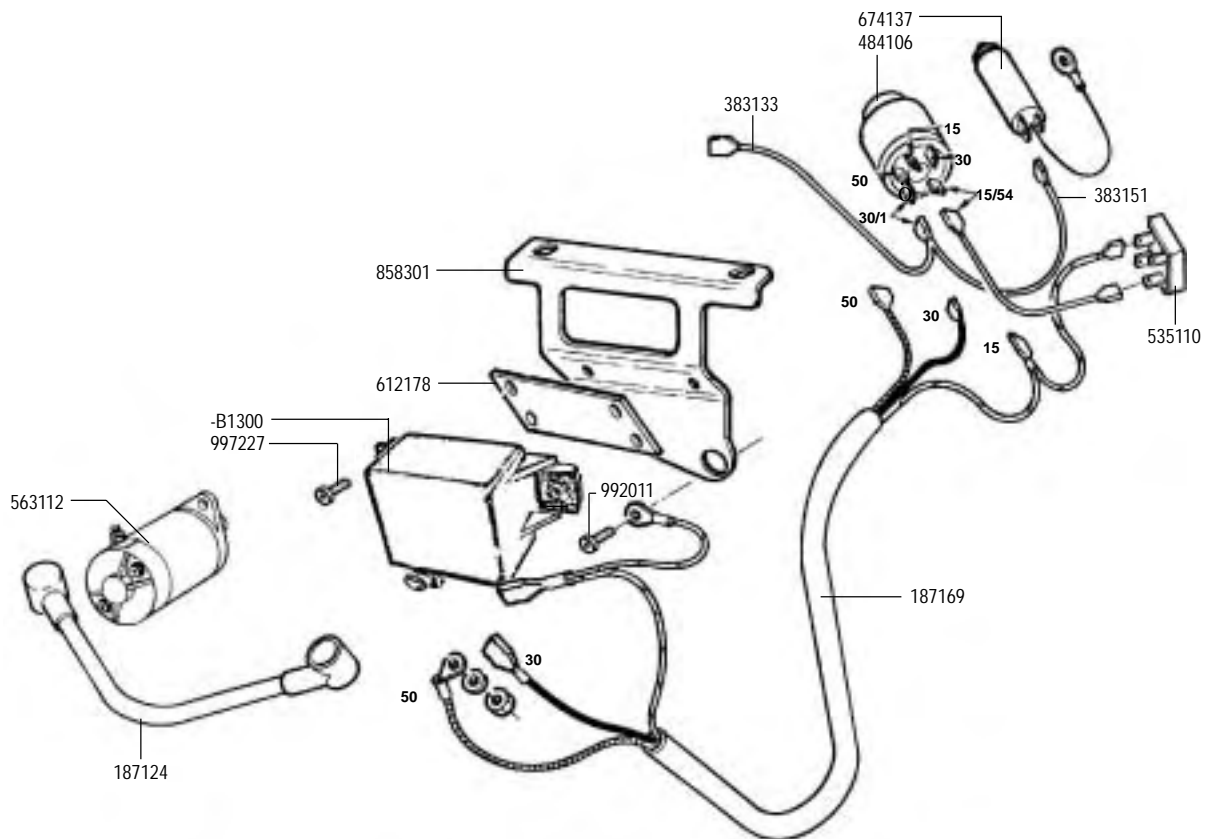


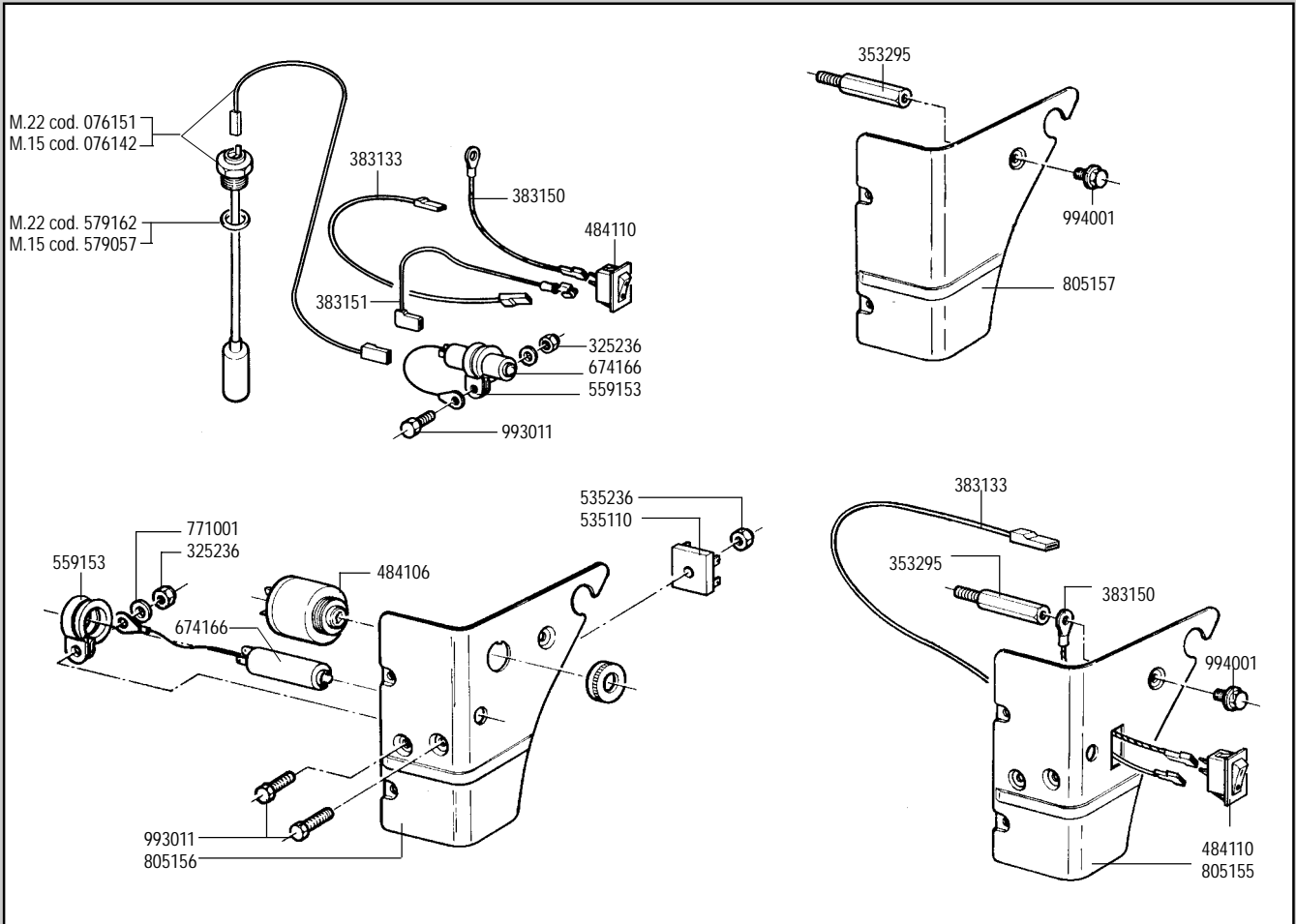
\* Versione Agricola  
Farming Application

▲ = ACT 280  
● = ACT 340



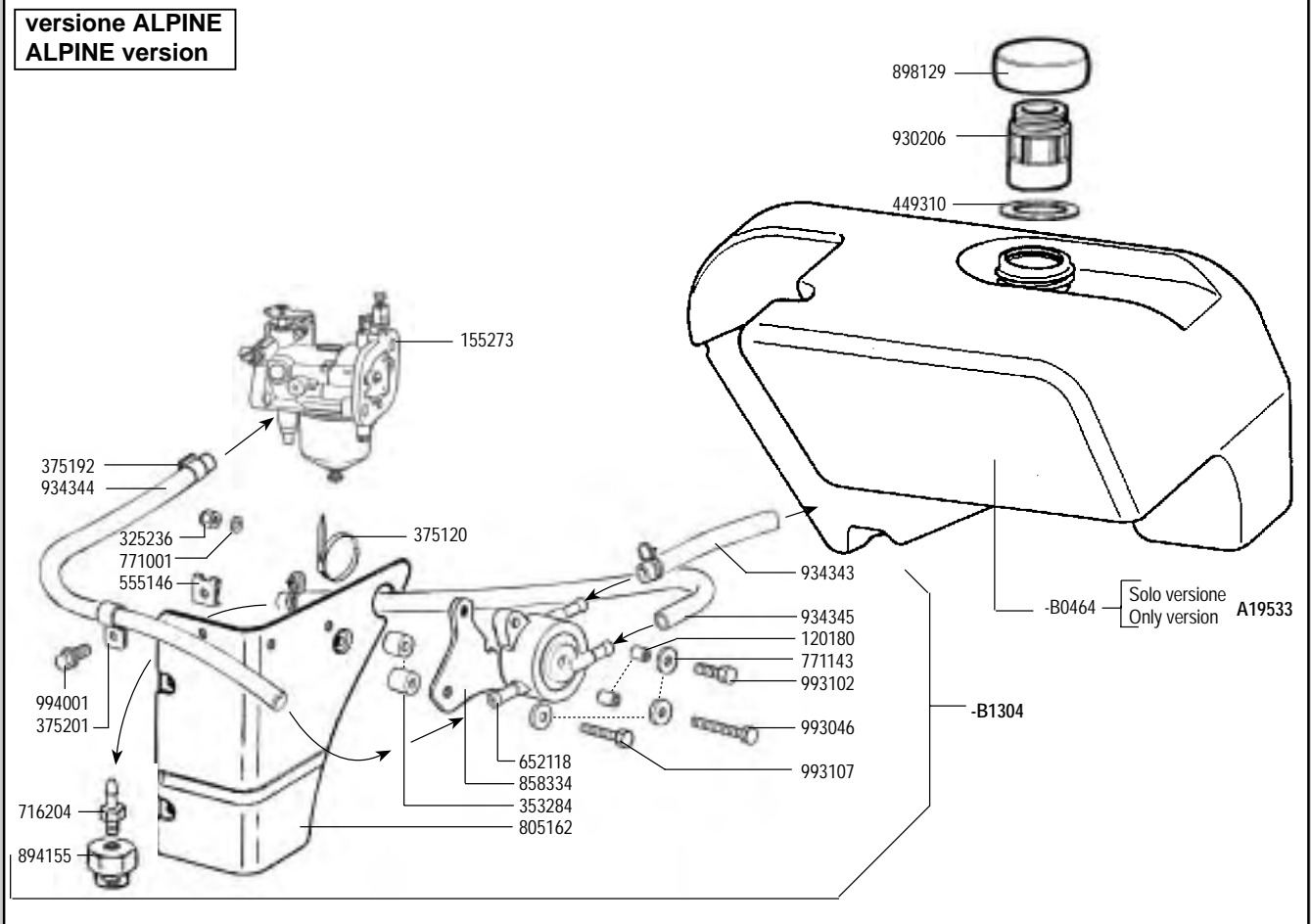
RICAMBI - SPARE PARTS - ERSATZTEILE - PIECES DETACHEES - REPUESTOS



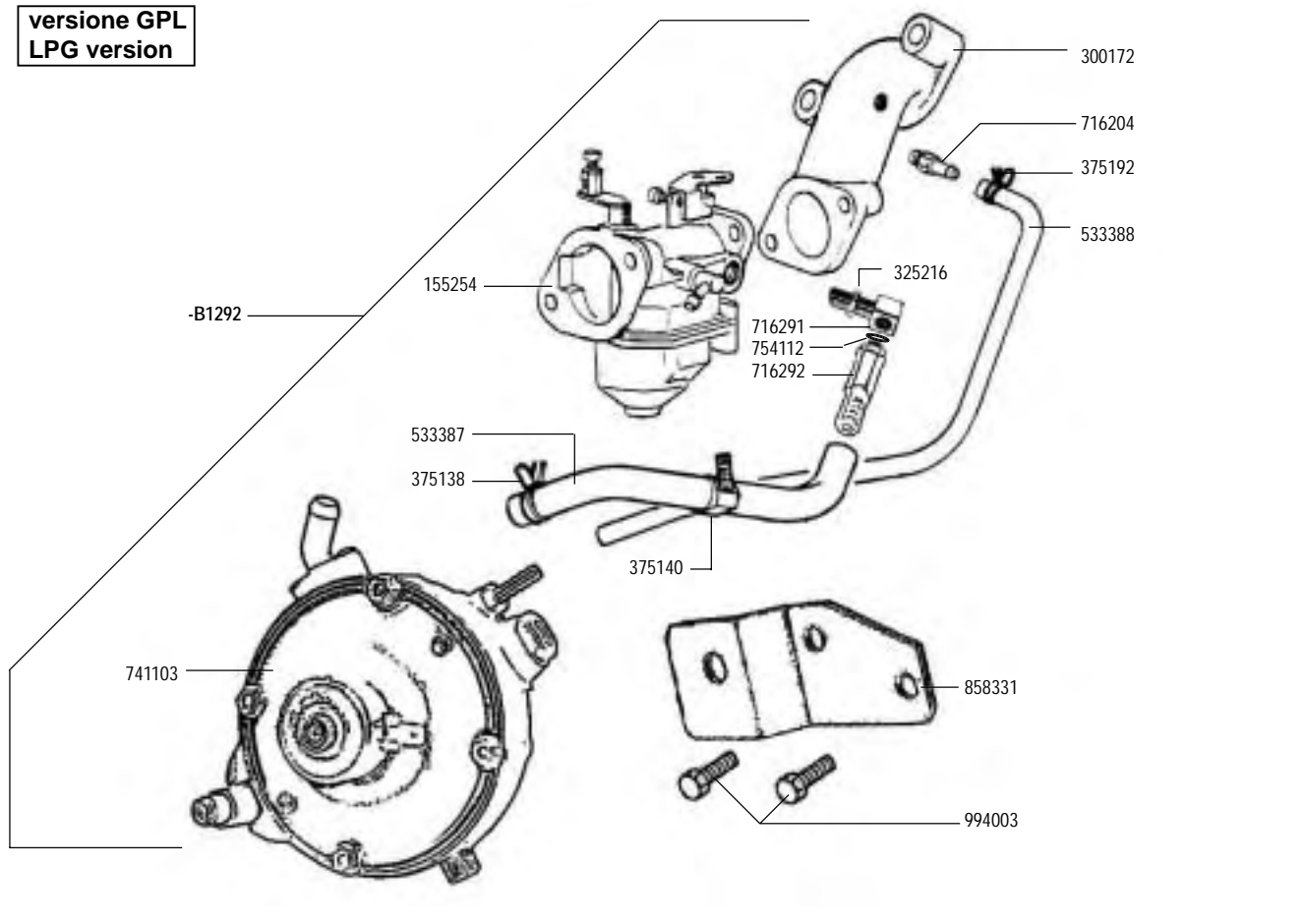



**RICAMBI - SPARE PARTS - ERSATZTEILE - PIECES DETACHEES - REPUESTOS**

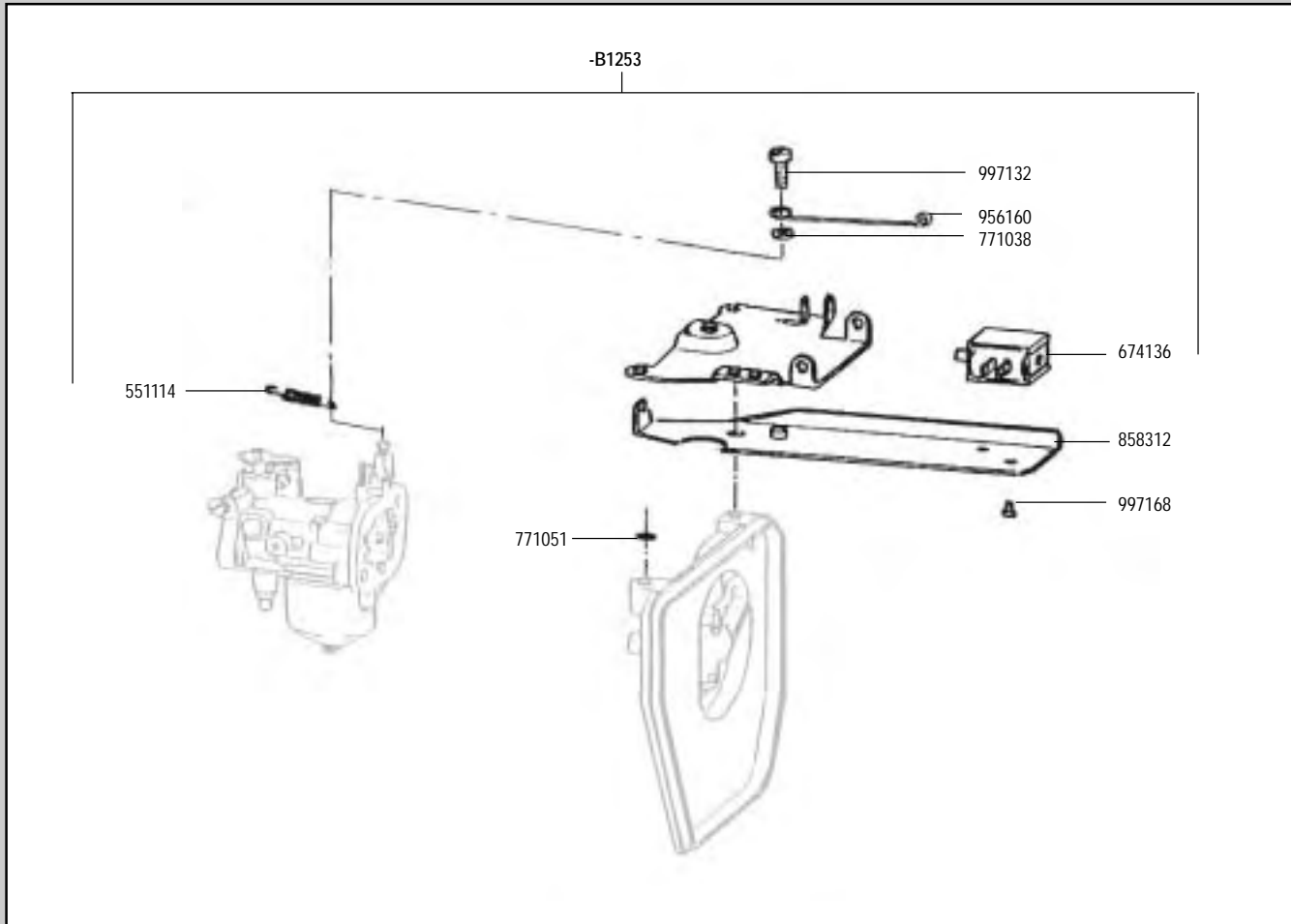

**versione ALPINE**  
**ALPINE version**



versione GPL  
LPG version

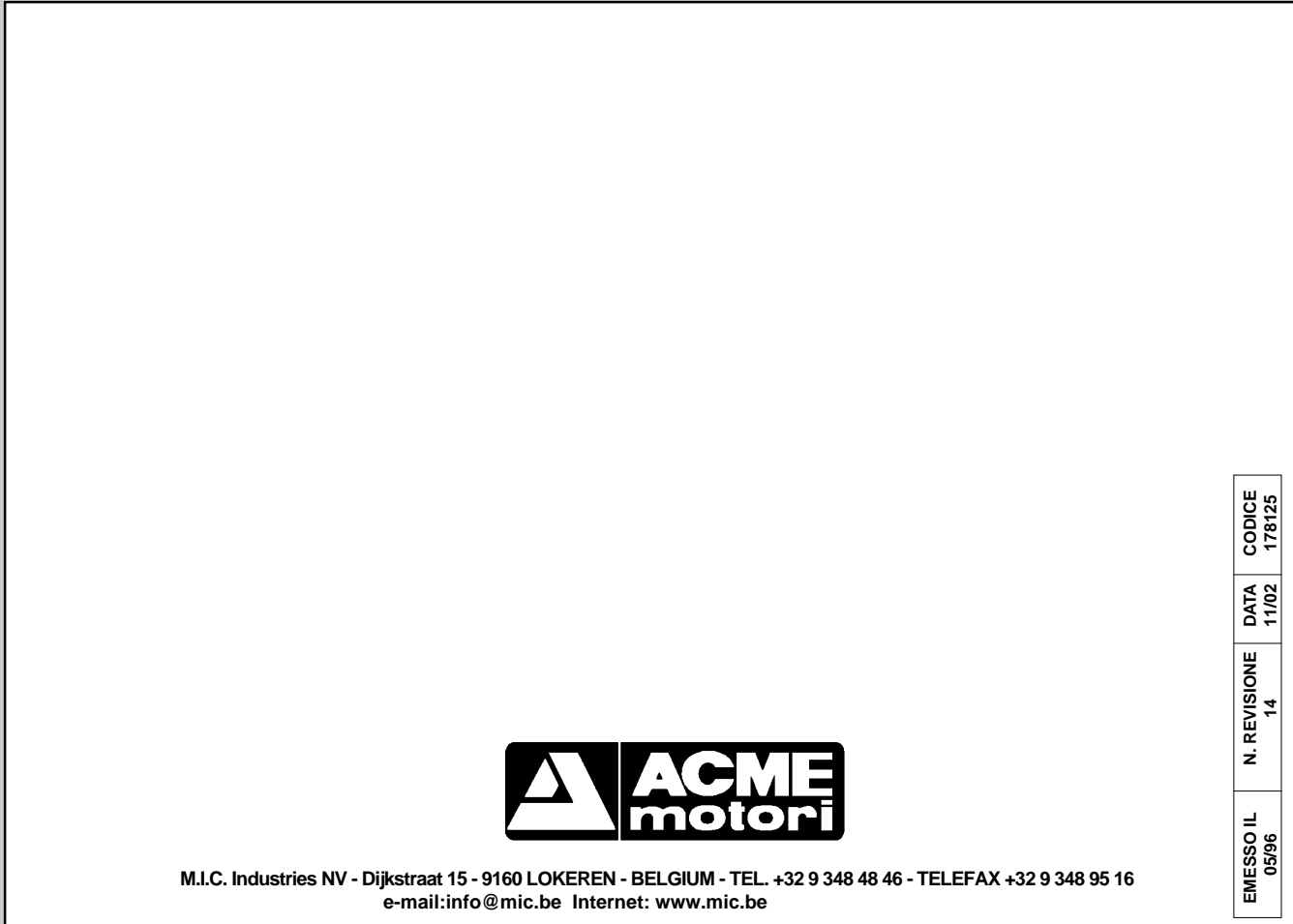


RICAMBI - SPARE PARTS - ERSATZTEILE - PIECES DETACHEES - REPUESTOS





**RICAMBI - SPARE PARTS - ERSATZTEILE - PIECES DETACHEES - REPUESTOS**



M.I.C. Industries NV - Dijkstraat 15 - 9160 LOKEREN - BELGIUM - TEL. +32 9 348 48 46 - TELEFAX +32 9 348 95 16  
e-mail: info@mic.be Internet: www.mic.be

EMESSO IL	N. REVISIONE	DATA	CODICE
05/96	14	11/02	178125